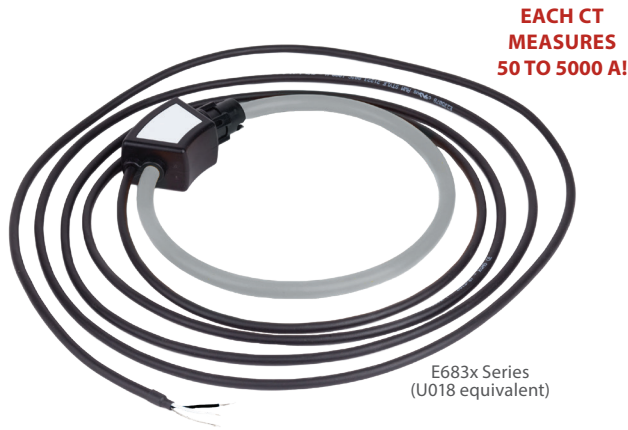


E683X SERIES

Exclusively for E2x and E5xxxA
Power and Energy Meters (sold separately)



The E683x Series of Rogowski flexible rope style current transducers (CTs) provide secondary AC voltage proportional to the primary (sensed) current. For use with E5xxxA and E2x Series power meters, the E683x Series CTs provide a cost-effective means to transform electrical service amperages to a voltage compatible with monitoring equipment. The flexible core makes it easy to fit in tight enclosures.

These products provide reinforced insulation between the sensed conductor and the output leads.

The E683x Series works exclusively with the E2x and E5xxxA power and energy meters and is a U018 equivalent. These meters have a built-in power supply and integrator, so CT connection is fast and simple.

SPECIFICATIONS

INPUTS	
Frequency Range	50/60 Hz
Cable	1000 Vac UL Style 21223 cable with 22 AWG leads
ACCURACY	
Accuracy	±1% from 50 to 5000 A
OUTPUT	
Output at Rated Current	Custom for E5xxxA and E2x Series power meters
MECHANICAL	
Insulation category	600 V Cat IV, Pollution Degree 2
ENVIRONMENTAL	
Installation Category IV	Pollution Degree 2
Operating Temp. Range	-15 to 60 °C (5 to 140 °F)
Storage Temp. Range	-40 to 70 °C (-40 to 158 °F)
WARRANTY	
Limited Warranty	3 years
AGENCY APPROVALS	
Agency Approvals	EN61010-1; UL61010-1; EN61010-2-032; UKCA (UK); UL61010-2-032



Easy installation

Insulated leads

Maximum flexibility

Fits difficult spaces

Fast CT connection

Compatible with E2x and E5xxxA power and energy meters with built-in power supply and integrator for fast CT connection... see the E2xxx and E5xxxA datasheets

APPLICATIONS

- Data logging
- Recording
- Power monitoring
- Energy management
- Alternative energy monitoring
- Cost allocation

UL Recognized

UL Recognized

1% accuracy

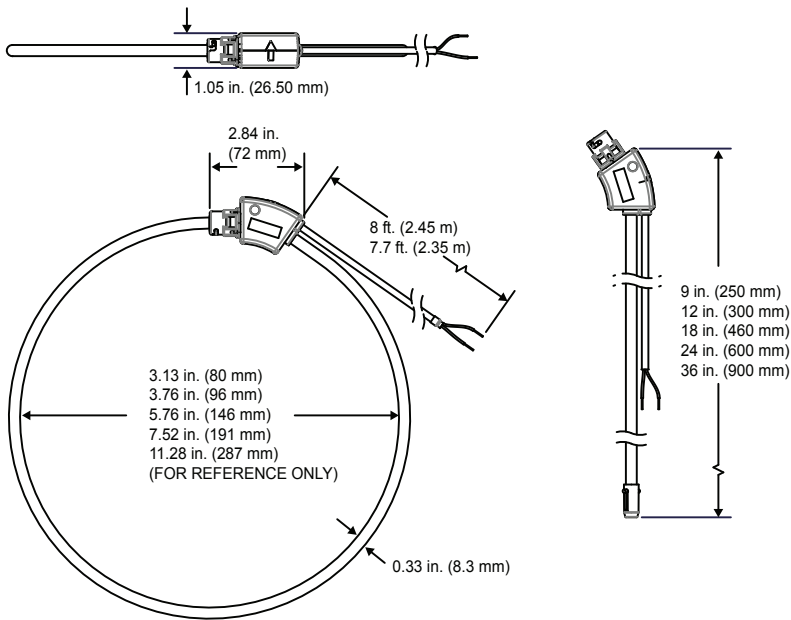
1% accuracy from 50 to 5000 A... monitor a wide range of loads with breakers from 400 to 5000 A

Enhanced accuracy

Phase angle <0.5 degrees, measured at 50% rated current



DIMENSIONAL DRAWING



CT CORE LENGTH	APPROXIMATE INSIDE DIAMETER WITH CLOSED CONNECTOR
9 in. (250 mm)	Ø 3.13 in. (80 mm)
12 in. (300 mm)	Ø 3.76 in. (96 mm)
18 in. (460 mm)	Ø 5.76 in. (146 mm)
24 in. (600 mm)	Ø 7.52 in. (191 mm)
36 in. (900 mm)	Ø 11.28 in. (287 mm)

ORDERING INFORMATION

MODEL	DESCRIPTION
E683C502	Rogowski CT, 250 mm (9"), 600 V, 5 kA, U018 equivalent
E683D502	Rogowski CT, 300 mm (12"), 600 V, 5 kA, U018 equivalent
E683G502	Rogowski CT, 460 mm (18"), 600 V, 5 kA, U018 equivalent
E683J502	Rogowski CT, 600 mm (24"), 600 V, 5 kA, U018 equivalent
E683L502	Rogowski CT, 900 mm (36"), 600 V, 5 kA, U018 equivalent

Note: These CTs are compatible with the E2x and E5xxxA Series meters only.